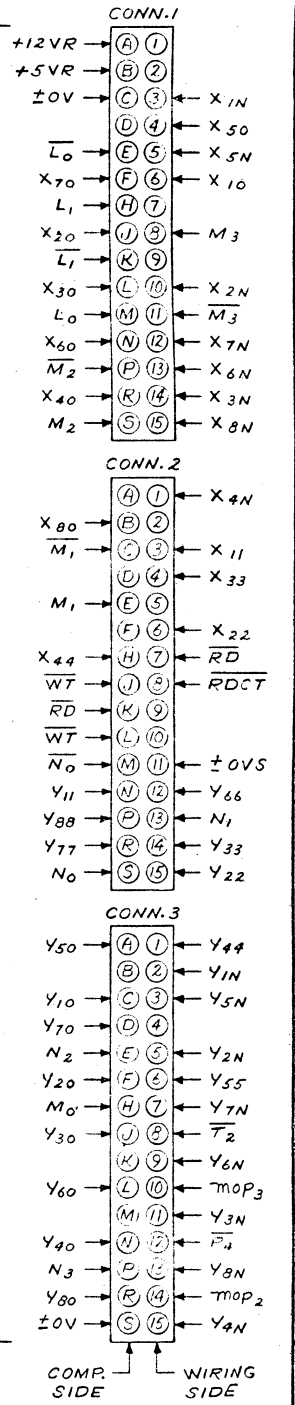
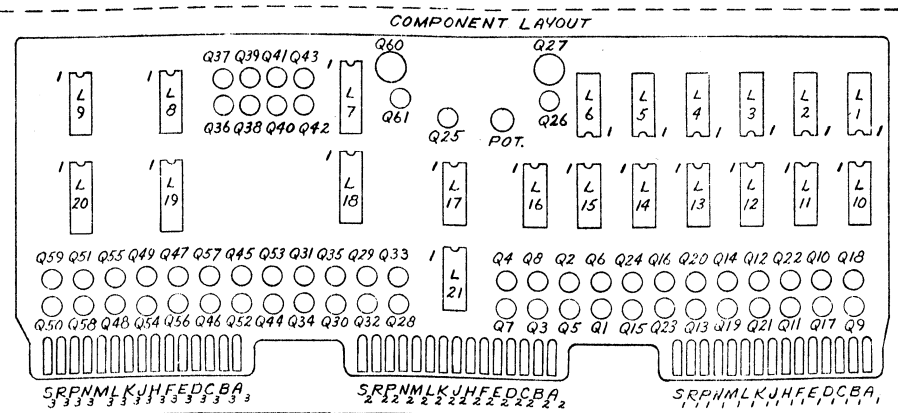


SIGNAL - TERMINAL DESIGNATIONS, VIEW FROM BOTTOM (WIRING) SIDE OF CONNECTOR



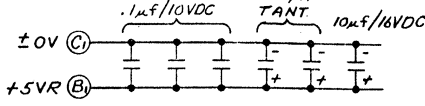
TRANSISTORS	TYPE	W.L. NO.	QTY.
Q1 THRU Q24, Q26	GT544	375-1017	58
Q25	2N3640	375-1003	1
Q27, 60	RE GT545	375-1020	2



I.C. LOCATION	TYPE	W.L. NO.	TERM FOR VCC +5V	TERM FOR ±0V	QTY
L17	SN7400N	376-0002	14	7	1
L8	SN7402N	376-0016	14	7	1
L7, 18, 19, 20	SN7495N	376-0032	15	8	4
L16, 21	SN7451N	376-0012	14	7	2
L9	SN7474N	376-0006	14	7	1
L1, 2, 3, 4, 5, 6, 10, 11, 12, 13, 14, 15	F9944	376-0024	14	7	12

TOL. EX. AS NOTED XX ±.010 ANG. 20°/30° XXX ±.008 FRAC. ±1/64	IDENT QTY	NAME	MATERIAL	DESCRIPTION
FINISH: ✓		WANG LABORATORIES, INC. TEWKSBURY, MASS. U. S. A.		DR. F.S.C. DATE 1/29/70 CHK R.S. DATE 4-14-70 APPD. X.H.D. DATE
	MODEL No. 720	W.O. No.	SCALE	SHEET OF
	TITLE SCHEMATIC LOGIC LOC # 5929 (WITH P.C. 6085) X & Y CORE DRIVER			
	PART NUMBER	REV	SIZE	DRAWING NUMBER
				D 5929-1

REVISION	
1	
2	



D 5929-1